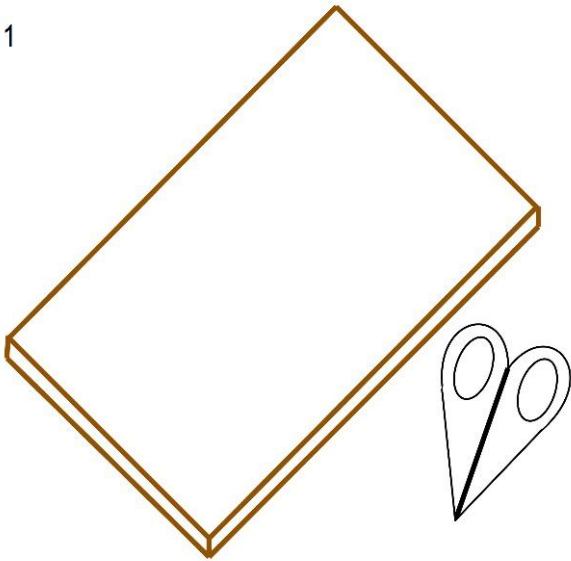


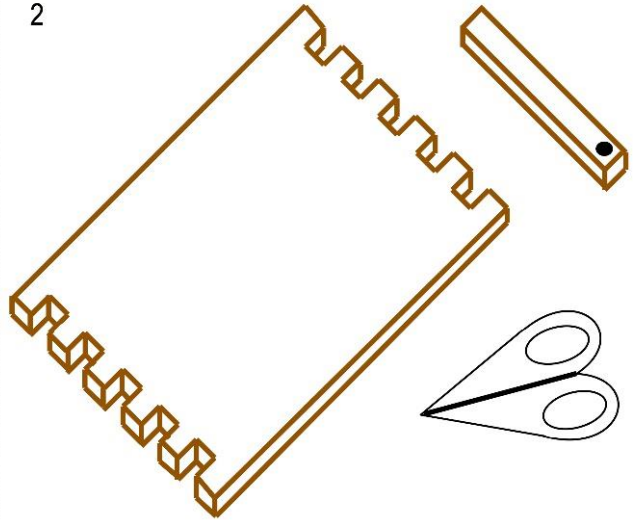
# How To Make A Weaving Loom:

1



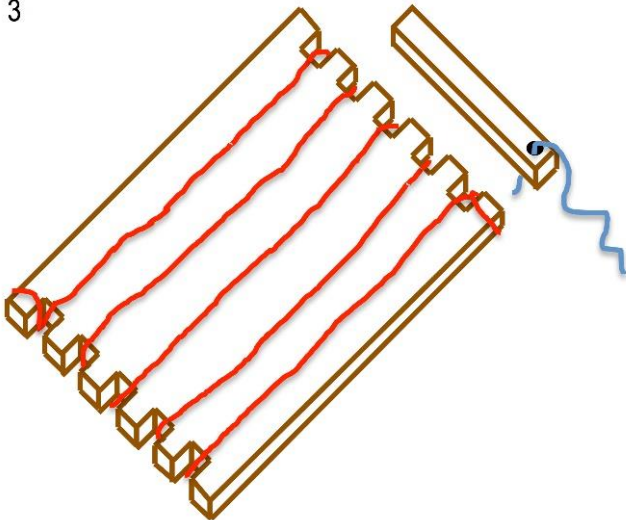
You will need: yarn, scissors, and a rectangular piece of cardboard.

2



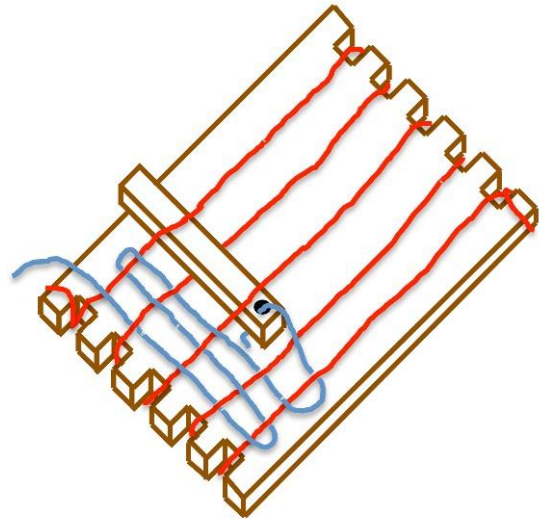
Cut off a small strip of cardboard for the shuttle, punch a hole in one end. Cut notches on the short edges of the cardboard rectangle.

3



String the loom with yarn, zigzagging back and forth across all the notches. This will be the warp yarn. Thread the shuttle like a needle.

4



Alternating over and under, move the shuttle through the warp back and forth to create the weft. Reverse directions when you get to the edge.